

# CITYBAC®

## 400L



**SULO®**

# Citybac<sup>®</sup> 400L

## PRODUCT DETAILS



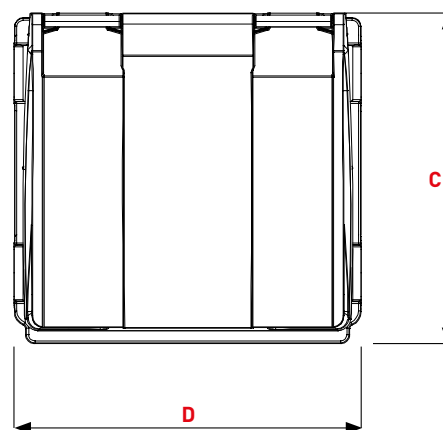
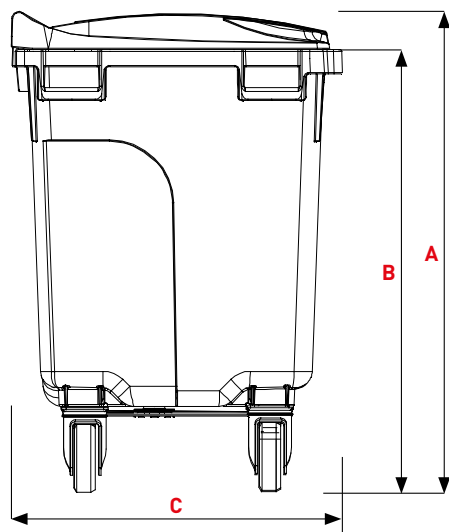
- 1 Flat Lid
- 2 Handle / handle recess
- 3 Handles with handle bar, rear 2x
- 4 Marking areas

- A Body
- B DIN comb lifting system, double stage
- C Stacking ribs
- D Marking areas
- E Ergonomic handles lateral 4x
- F Chip nest as standard
- G Functional castors 2x
- H Swivel castors 2x



MANUAL LOCK

AUTOMATIC LOCK



## STANDARD LID

### Dimensions (mm)

<b>A</b> Height total ~	1141
<b>B</b> Comb height ~	1050
<b>C</b> Bin depth ~	780
<b>D</b> Width total ~	780

### Weights

Volume nominal (L)	400
Empty weight (kg) ~ EN 840 Norm	25
Max. filling weight(kg) ~	160

# Citybac® 400L

## PRODUCT DETAILS

### COLOURING



ANTHRACITE GREY  
**RAL 7021**  
**AT**  
 CIRCULAR ECO  
 ■■■■■■

**Bin bodies made of up to 100 % post-consumption recycle.** We are able to achieve an average share of 70 % domestic recycle (packaging, caps) and 30 % nondomestic (bins, industrial scrap, pallets)

### 100% RECYCLED MATERIAL



**RAL 7021**



**RAL 7011**



**RAL 6011**



**RAL 6009**



**RAL 8025**



**RAL 5023**

### VIRGIN MATERIAL



**RAL 9010**



**RAL 7038**



**RAL 5015**



**RAL 5005**



**PANTONE 5395C**



**RAL 3974GN**



**PANTONE 167 C**



**RAL 3000**



**RAL 3005**



**RAL 1018**

### ALTERNATIVE COLOURS FOR THE BIN BODY



**GREEN**  
**RAL**  
**6011**  
**VJ**

CIRCULAR ECO  
 ■■■■■■



**BROWN**  
**RAL**  
**8025**  
**MR**

CIRCULAR ECO  
 ■■■■■■



**BLUE**  
**RAL**  
**5023**  
**BN**

CIRCULAR ECO  
 ■■■■■■



**RED**  
**RAL**  
**3000**  
**RN**

CIRCULAR ECO  
 ■■■■■■



**ORANGE**  
**PANTONE**  
**167 C**  
**OF**

CIRCULAR ECO  
 ■■■■■■



**YELLOW**  
**RAL**  
**1018**  
**JA**

CIRCULAR ECO  
 ■■■■■■

Other colours and colour combinations available on request, subject to sufficient order quantities. Colours may vary due to production. The colour values given according to RAL are guide colours.

## + OPTIONS

### FRACTION MARKING



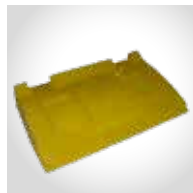
Clip available in the colours



Label for Lid, individual printing possible

### LID SLOT SYSTEMS

Packaging



Lid-in-Lid, small Lid always in **Yellow RAL 1018**

Glass



Round slot with rubber rosette Ø 150 mm, lock or bolt required

Paper



Paper hood for newspapers and magazines in **Blue RAL 5023**

### NOISE REDUCTION



Lid closing damper

### DRAINAGE



Drain plug



Lid opening via pedal

### CHASSIS



Ø 160 mm Wheel - Swivel castor



Ø 160 mm Wheel - Castor with brake

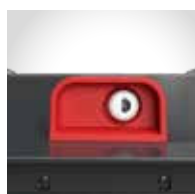


Steering lock (can be fitted to any type of castor)

### LOCKING SYSTEMS



Automatic lock with triangular key



Automatic lock with individual key



Manual lock with triangular key

# Citybac® 4-Wheel

## TECHNICAL INFORMATION

400 LITRE

LIFTING SYSTEM	
DIN COMB	■
LID TYPE	
Standard	■
Domed	
LID SLOT SYSTEMS	
Paper hood	■
Paper hood XXL for cardboards	
Round slot with rubber rosette Ø 150 mm,	■
Lid-in-Lid,	■
Clip	■
NOISE REDUCTION	
Plots	■
Lid Opening Noise Reduction	
LOCKING SYTSEMS	
Manual lock	■
Automatic lock	■
Automatic bolt	
LIFTING DEVICES	
Front	
Swiss	
Trunnions	
Trunnions with metal sleeve	
Forklift device	
Metal trunnions	
CHASSIS	
Standard castors ø 160	■
Standard castors ø 200	
12km/h reinforced wheel ø 160	■
12km/h reinforced wheel ø 200	
Non-marking wheels ø 160	■
Non-marking wheels ø 200	

## 400 LITRE

**ACCESSOIRES**

Lid opening via pedal	Standard
-----------------------	----------

Fixed position with handle at the back of the body	
--	--

Rim reinforcement	
-------------------	--

Bottom reinforcement	
----------------------	--

Towbar	
--------	--

**DRAIN PLUG**

Drain plug	■
------------	---

**ANTI-ODOUR**

Anti-odour	■
------------	---

**LABELLING**

Photo injection on the lid	Standard
----------------------------	----------

Sticker	■
---------	---

Embossing insert	Standard
------------------	----------

Hot foil stamping	■
-------------------	---

**IDENTIFICATION**

RFID Chip	■
-----------	---

Specific numbering	■
--------------------	---

[sulo.com](https://sulo.com)

DATA-CITYBAC-400L-LA-EN-2-0-030723

**SULO**<sup>®</sup>