

ORWAK HORIZONTAL 1000 ATH

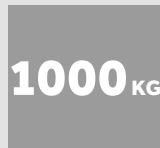
Our fully automated horizontal 100 ton baler meets the challenges by centralized waste handling in many businesses and organizations where huge volumes of recyclable paper-based and plastic wrapping are produced. We offer well-proven technology for special demands! The automatic tying and the continuous baling enable multi-shift operation.



**AUTOMATIC
SOLUTION**



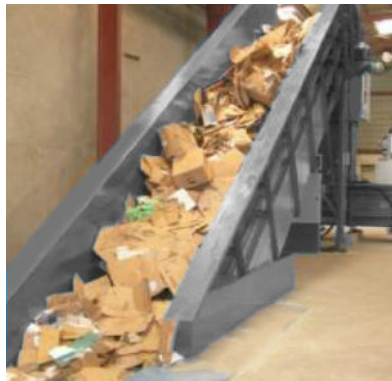
**CAPACITY
CARDBOARD**



**BALE WEIGHT
CARDBOARD**



ORWAK BENEFITS



MORE PRODUCTIVE USE OF TIME

Less time spent on waste handling, more time for your core activities!

MORE SPACE & ORDER

Our balers rapidly minimize the space the waste takes up, keeping aisles free and tidy.

LESS COSTS, MORE VALUE

More compaction = less waste volume to transport. Fewer transports required results in lower transportation costs and reduced CO₂ emissions. Sorting at source yields a higher quality of waste material for recycling.

WHY ORWAK HORIZONTAL?

- Effective large-scale waste handling
- Improved internal and external logistics
- Safe and comfortable working environment
- Excellent control over the throughput
- Increased income when delivering high-quality bales directly to the recycling industry.

ORWAK
PART OF **SULO** GROUP

ORWAK HORIZONTAL 1000 ATH

Smart fully automated solution

CONTINUOUS FEEDING AND OUTPUT

A completely automated waste management solution designed for continuous infeed and equipped with an automatic horizontal strapping system with adjustable wire links, which enables you to yield optimal output.

EQUIPPED WITH A PROGRESSIVE CUTTING SYSTEM

for extra effective compaction.



OPTIMAL FEATURES

- Well proven technology
- Auto start (photocell) as standard
- High speed: fast throughput
- Adjustable bale length
- Bale counter
- Oil cooler
- Horizontal automatic tying

HORIZONTAL 1000 ATH IS OPTIMIZED FOR:

PAPER

- Paper sacks
- Cardboard
- Tetra Pak

PLASTIC

- Shrink film
- PET/PEHD

A VARIETY OF INFEEED OPTIONS

To fit the conditions in your environment, our horizontal balers offer a wide choice of infeed systems: manual, by bin, air-transport and conveyor belt. Our balers can also easily be equipped with shredders, bottle presses, rufflers, strippers and different types of hoppers.

OPTIONS

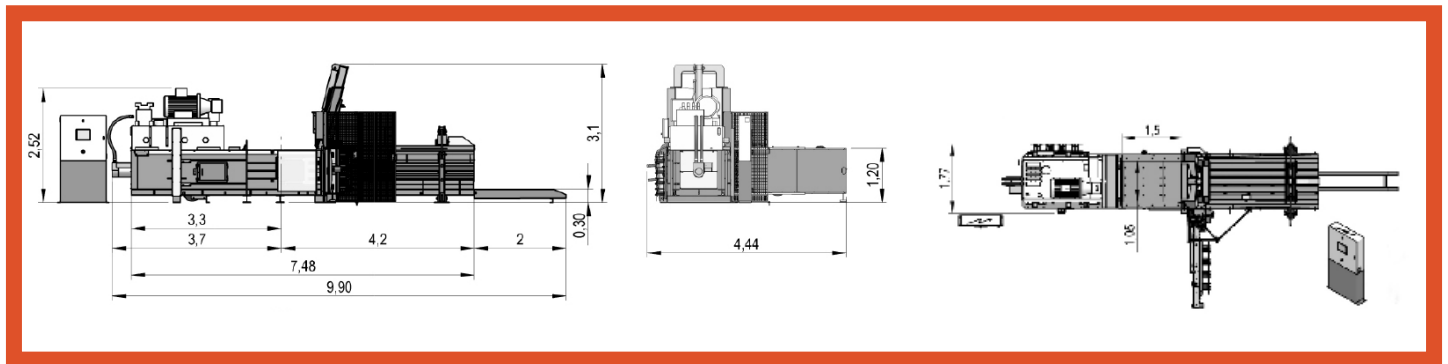
- Conveyor belt
- Heating systems
- Stamper

More special options on demand

DIMENSIONS & SPECIFICATIONS

TECHNICAL SPECIFICATIONS

| MODEL | MACHINE DIMENSIONS (LXWXH) EXCL BALE EXIT | FEED OPENING | INFEEED CAPACITY | PRESS FORCE | MOTOR | SURFACE PRESSURE | CYCLES PER MINUTE | CHANNEL SECTION | OIL TANK CAPACITY |
|-----------------|---|--------------|---------------------|-------------|--------------|-------------------------|-------------------|-----------------|-------------------|
| 1000 ATH, 55 kW | 7860x4435x3060 mm | 1550x1100 mm | 1.36 m ³ | 100 ton | 55 kW/75 Hp | 11.3 kg/cm ² | 3.5 | 1100x800 mm | 1000 L |
| 1000 ATH, 75 kW | 7860x4435x3060 mm | 1550x1100 mm | 1.36 m ³ | 100 ton | 75 kW/100 Hp | 11.3 kg/cm ² | 5 | 1100x800 mm | 1500 L |



TECHNICAL SPECIFICATIONS

| MODEL | TOTAL MACHINE WEIGHT | PRODUCTION RATE WITH LOAD | PRODUCTION ACCORD. TO DENSITY | AUTOMATIC BINDING | BALE SIZE (ADJUSTABLE LENGTH) | BALE WEIGHT CARDBOARD <small>DEPENDS ON BALE LENGTH</small> |
|-----------------|----------------------|---------------------------|-------------------------------|-------------------|-------------------------------|--|
| 1000 ATH, 55 kW | 15000 kg | 220 m ³ /h | 11-18 t/h | 4 wires Ø 3.4 | 1100x800x800-2150 mm | 400-1000 kg |
| 1000 ATH, 75 kW | 15500 kg | 320 m ³ /h | 16-25 t/h | 4 wires Ø 3.4 | 1100x800x800-2150 mm | 400-1000 kg |

We reserve the right to make changes to specifications without prior notice. Bale weights are dependent upon material type.

ORWAK AB

Svetsaregatan 4
S-576 33 Sävsjö
SWEDEN
Tel: +46-(0)382-15700
info@orwak.com

ORWAK.COM

ORWAK
PART OF SULO GROUP