

CITYBAC®

60L



SULO®

Citybac® 60L

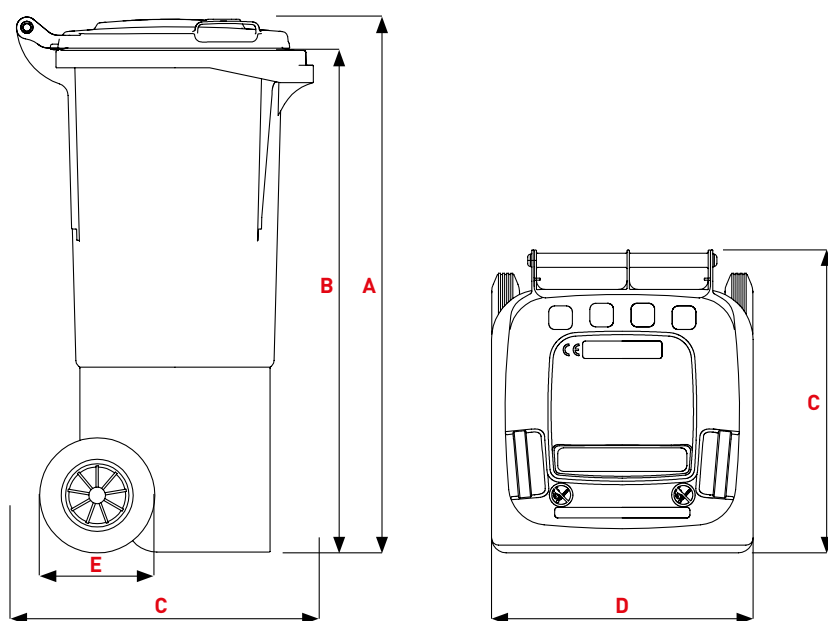
PRODUCT DETAILS



- 1 Standard Lid
- 2 Handles 2x
- 3 Lid rivet 2x
- 4 Marking areas

- A Body
- B Continuous handle bar
- C DIN comb lifting system, double stage
- D SULO sticker / Marking areas
- E External wheels
- F Chip nest as standard
- G Lateral grip surfaces with wave profile



**STANDARD LID****Dimensions (mm)**

A Height total ~	925
B Comb height ~	871
C Bin depth ~	516
D Width total ~	445
E Wheel diameter ~	200

Weights

Tubular axle	
Nominal volume (L)	60
Empty weight (kg) ~	8,5
Max. filling weight(kg) ~	24
Max. total weight (kg) ~	50

CLIP LID**Dimensions (mm)**

A Height total ~	932
B Comb height ~	871
C Bin depth ~	518
D Width total ~	445
E Wheel diameter ~	200

Weights

Tubular axle	
Nominal volume (L)	60
Empty weight (kg) ~	8,5
Max. filling weight(kg) ~	24
Max. total weight (kg) ~	50

Citybac® 60L

PRODUCT DETAILS

COLOURING

Bin bodies made from 100 % recycled material with a minimum of 60 % post-consumer recycled material.



GREY
RAL 7021
AT
ECO FRIENDLY
■ ■ ■ ■ ■

Perfectly set in scene with coloured **lids** for fraction identification



GREY
RAL
7021
AT



GREEN
RAL
6011
VJ



BROWN
RAL
8025
MR



BLUE
RAL
5023
BN



YELLOW
RAL
1018
JA



RED
RAL
3000
RN

ALTERNATIVE COLOURS FOR THE BIN BODY



GREEN
RAL
6011
VJ
ECO FRIENDLY
■ ■ ■ ■ ■



BROWN
RAL
8025
MR
ECO FRIENDLY
■ ■ ■ ■ ■



BLUE
RAL
5023
BN
ECO FRIENDLY
■ ■ ■ ■ ■



YELLOW
RAL
1018
JA
ECO FRIENDLY
■ ■ ■ ■ ■

FRACTION MARKING



Clip available in the colours



Label for Clip Lid, individual printing possible

BIO-FILTER LID



Lid available in the colours



Bio-filter lid - with active bio-filter material

NOISE REDUCTION SYSTEMS



Lid Opening Noise Reduction



Lid closing damper

WHEELS



Ø 200 mm Wheel



Ø 250 mm Wheel



Triangular Locks



Padlock Fixtures



Cylinder lock with automatic function



Cylinder lock without automatic function

LOCKING SYSTEMS

Citybac® 2Wheel

TECHNICAL INFORMATION

60 LITRE

MATERIAL OPTIONS

Extra UV protection



COLOURS

Standard colours



Other colours



LID SYSTEMS

Standard Lid



Clip Lid (EURO2)



Design Lid

Silent Lid

Butterfly Lid

Bio-Filter Lid



Label for Clip Lid, individual printing possible



LIFTING SYSTEMS

EN 840 / DIN Comb



LID SLOT SYSTEMS

Glass

Round slot with rubber rosette Ø 150 mm

Paper

Opening Slot 250 x 30 mm

Opening Slot 300 x 30 mm

Opening Slot 300 x 60 mm

PaperPaper Inlet Hood blue

Packaging

Lid-in-Lid

LID OPENING SYSTEM

Lid opening system by foot pedal

NOISE REDUCTION SYSTEMS

Lid opening noise reduction



Lid closing damper



VARIO SYSTEM

VARIO Bin-in-Bin Insert 40L

VARIO Bin-in-Bin Insert 60L

VARIO Bin-in-Bin Insert 80L

CHASSIS

Tubular axle



Full axle



60 LITRE

WHEELS

Ø 200 mm	■
Ø 250 mm	■
Ø 300 mm	

LOCKING SYSTEMS

Padlock device 1x	■
-------------------	---

Triangular Locks

with open position	■
without open position	■

Cylinder lock without automatic function

same key locking	■
group key locking	■
different key locking	■

Cylinder lock with automatic function

same key locking	■
group key locking	■
different key locking	■

CHIP INSTALLATION

RFID chip, installation without barcode sticker	■
RFID chip, installation with barcode sticker	■

RFID CHIP

Transponder 134kHz HDX + HID Inlay casted	■
Transponder 134kHz FDX casted	■
Transponder 134kHz FDX riveted	■
Transponder 134kHz HDX + glass	■
Transponder 125kHz FDX casted	■
Transponder 125kHz FDX riveted	■
Transponder 13,56 MHz	■

LABELLING**Body**

SULO sticker	■
Customer sticker	■
Hot foil stamping	■
Running numbers (colourless / black / white)	■

Lid

SULO sticker	■
Hot foil stamping	■
Running numbers (colourless / black / white)	■
Embossing insert	■
Print on Clip (Clip Lid)	■

- Standard
- Option

[sulo.com](https://www.sulo.com)

DATA-CITYBAC-60L-HF-EN-1-0-021221

SULO[®]