

CITYBAC®

240L



SULO®

Citybac® 240L

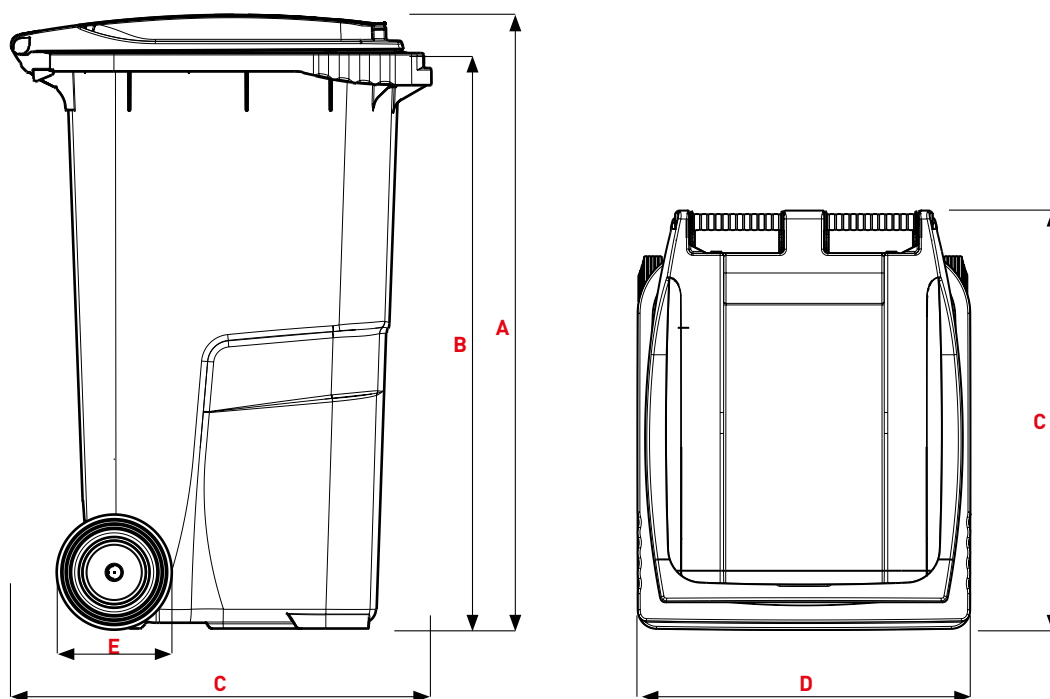
PRODUCT DETAILS



- 1 Design Lid
- 2 3-sided all-round handle strip
- 3 Marking areas

- A Body
- B Handle bar
- C DIN comb lifting system, double stage
- D Marking areas
- E External wheels
- F Chip nest as standard
- G Lateral grip surfaces





SILENT LID

Dimensions (mm)

| | |
|---------------------------|------|
| A Height total ~ | 1061 |
| B Comb height ~ | 998 |
| C Bin depth ~ | 730 |
| D Width total ~ | 580 |
| E Wheel diameter ~ | 200 |

Weights

| | |
|---|-----|
| Nominal volume (L) | 240 |
| Empty weight (kg) ~ | 8,8 |
| Max. filling weight (kg) ~ EN 840 Norm | 96 |
| Max. total weight (kg) ~ | 110 |

Dimensions may vary due to production conditions. The specified empty weights are rounded average based on the standard specifications. The actual weight may be different as a result of production conditions and specifications.

Citybac® 240L

PRODUCT DETAILS

COLOURING



ANTHRACITE GREY
RAL 7021
AT

CIRCULAR ECO
■■■■■

Bin bodies made of up to 100 % post-consumption recycle. We are able to achieve an average share of 70 % domestic recycle (packaging, caps) and 30 % nondomestic (bins, industrial scrap, pallets)

100% RECYCLED MATERIAL



RAL 7021



RAL 7011



RAL 6011



RAL 6009



RAL 8025



RAL 5023

VIRGIN MATERIAL



RAL 9010



RAL 7038



RAL 5015



RAL 5005



PANTONE 5395C



RAL 3974GN



PANTONE 167 C



RAL 3000



RAL 3005



RAL 1018

ALTERNATIVE COLOURS FOR THE BIN BODY



GREEN
RAL
6011
VJ

CIRCULAR ECO
■■■■■



BROWN
RAL
8025
MR

CIRCULAR ECO
■■■■■



BLUE
RAL
5023
BN

CIRCULAR ECO
■■■■■



RED
RAL
3000
RN

CIRCULAR ECO
■■■■■



ORANGE
PANTONE
167 C
OF

CIRCULAR ECO
■■■■■



YELLOW
RAL
1018
JA

CIRCULAR ECO
■■■■■

Other colours and colour combinations available on request, subject to sufficient order quantities. Colours may vary due to production. The colour values given according to RAL are guide colours.

+ OPTIONS

FRACTION MARKING



Clip available in the colours



Label for Silent and Design Lid, individual printing possible

LID SLOT SYSTEMS

Packaging



Lid-in-Lid, small Lid always in **Yellow** RAL 1018

Glass



Round slot with rubber rosette Ø 150 mm, lock or bolt required

Paper

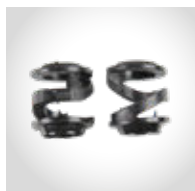


Paper hood for newspapers and magazines in **Blue** RAL 5023



Slot for confidential paper

NOISE REDUCTION



Plastic damper spring for the wheels

PARTITION



Divider Wall - vertical 40/60, 60/40 or 50/50

ACCESSORIES



Fixed position



Lid opening via pedal

WHEELS



Lightweight, recycled and recyclable Ø 200 mm wheels



Solid rubber Ø 200 mm wheels

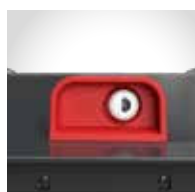


Solid rubber Ø 250 mm wheels

LOCKING SYSTEMS



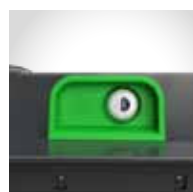
Automatic lock with triangular key



Automatic lock with individual key



Automatic bolt



Manual lock with individual key



Manual lock with triangular key

Citybac® 2-Wheel

TECHNICAL INFORMATION

240 LITRE

| LIFTING SYSTEM | |
|-----------------------------|--------|
| DIN COMB | ■ |
| LID TYPE | |
| Standard | |
| Silent | ■ |
| Design | |
| Butterfly horizontal | |
| LID SLOT SYSTEMS | |
| Paper | Silent |
| Slot for confidential paper | Silent |
| Glass | Silent |
| Packaging | Silent |
| Household waste | Silent |
| Clips | ■ |
| NOISE REDUCTION | |
| Plastic damper | ■ |
| LOCKING SYSTEMS | |
| Manual lock | Silent |
| Automatic lock | Silent |
| Automatic bolt | Silent |
| Padlock device | ■ |
| DIVIDER WALL | |
| Vertical 40/60 | ■ |
| Vertical 50/50 | ■ |
| Vertical 60/40 | ■ |
| Horizontal 40/60 | |
| Horizontal 60/40 | |

240 LITRE

| HANDLES (NOT AVAILABLE ON MST5) | |
|--|----------|
| Side handle | ■ |
| WHEELS DIAMETER (HOLLOW OR SOLID AXLE) | |
| ø 200 mm | ■ |
| ø 250 mm | ■ |
| ø 300 mm | |
| ACCESSOIRES | |
| Lid opening via pedal | Standard |
| Poste fixe | Silent |
| ANTI-ODOUR | |
| Anti-odour | ■ |
| LABELLING | |
| Photo injection on the lid | Silent |
| Sticker | ■ |
| Embossing insert on the lid | ■ |
| Hot foil stamping | ■ |
| IDENTIFICATION | |
| RFID Chip | ■ |
| Specific numbering | ■ |

sulo.com

DATA-CITYBAC-240L-LA-EN-1-0-201221

SULO®